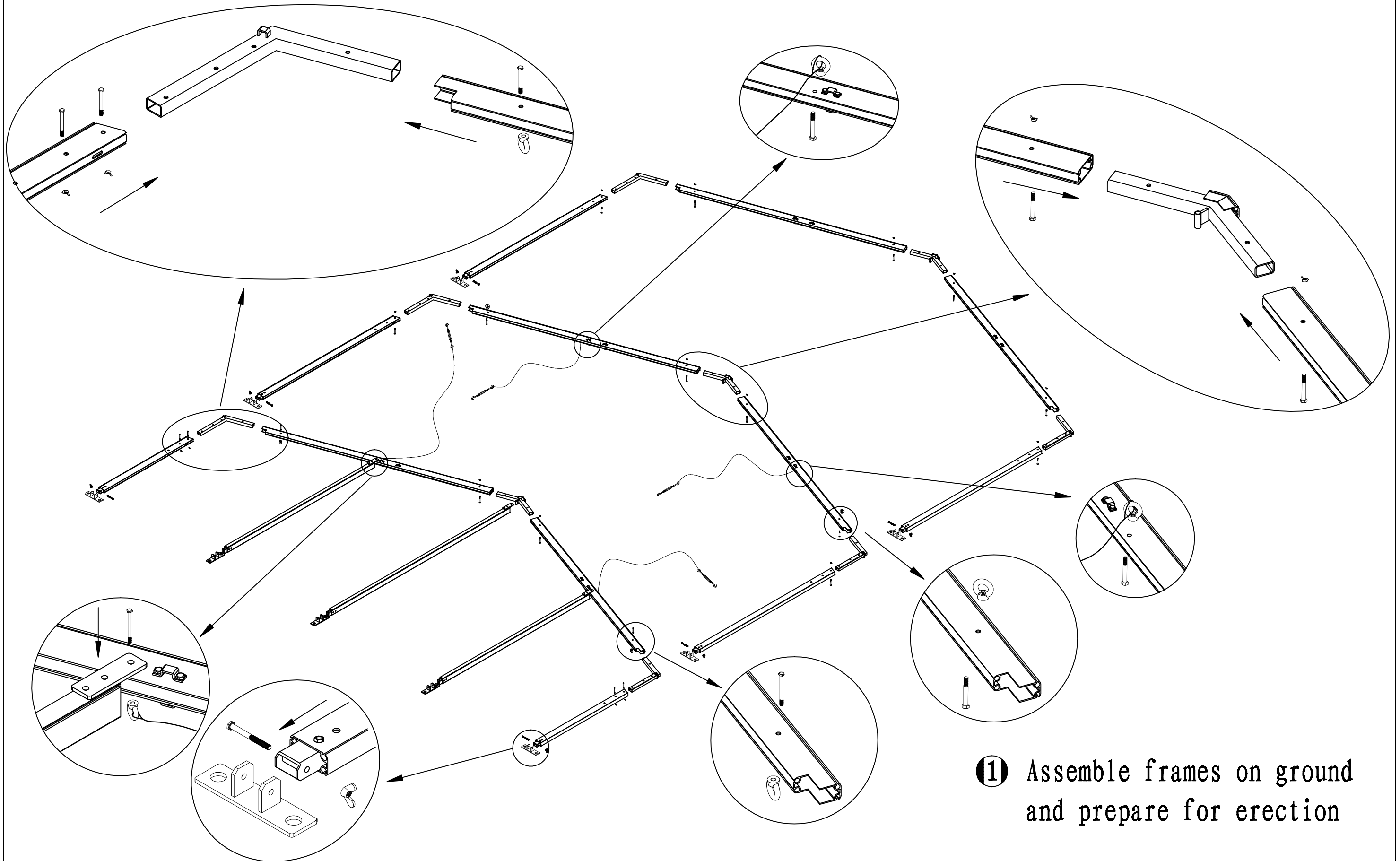
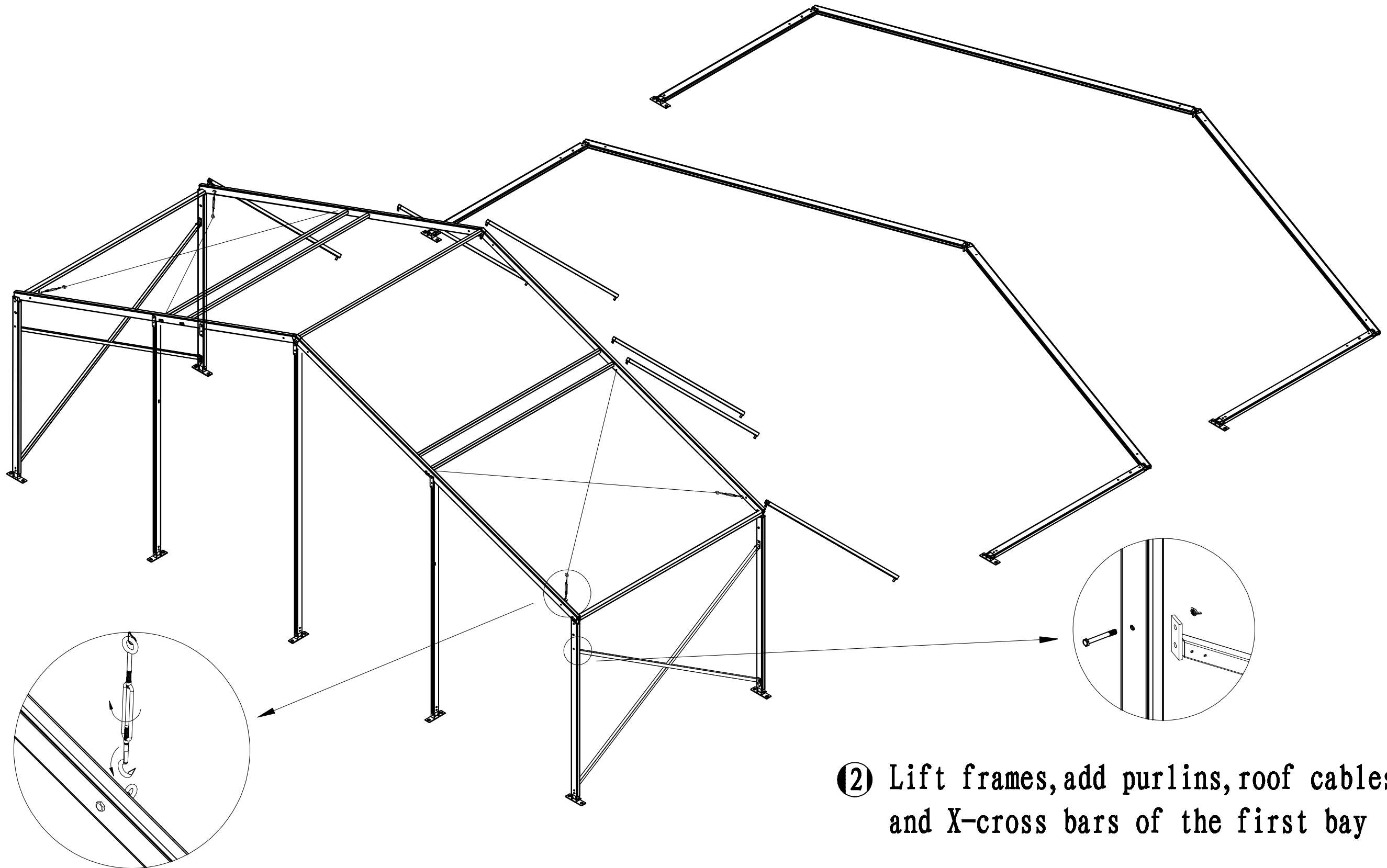


New Party Tent 12m Assembling Guide

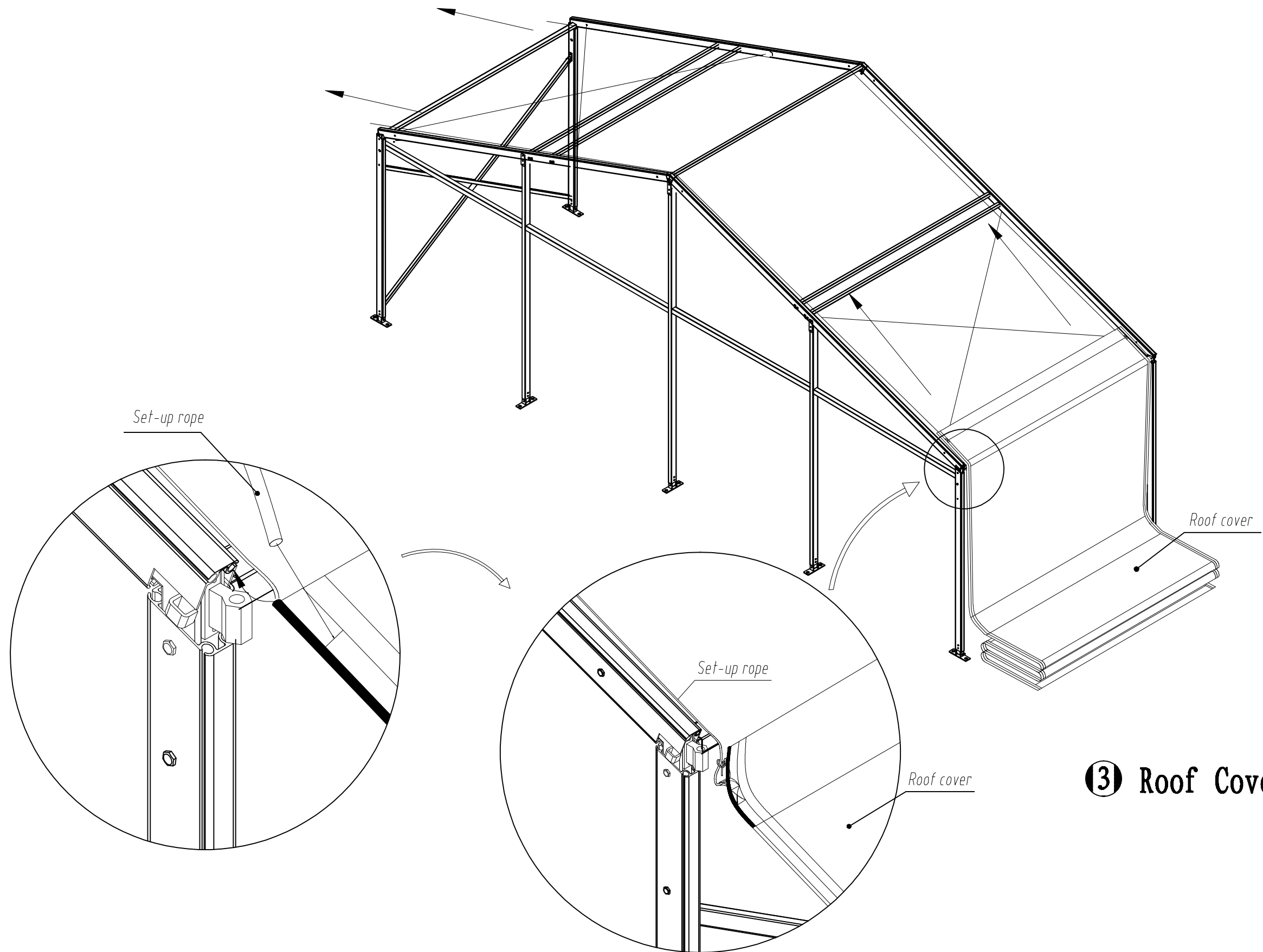


New Party Tent 12m Assembling Guide



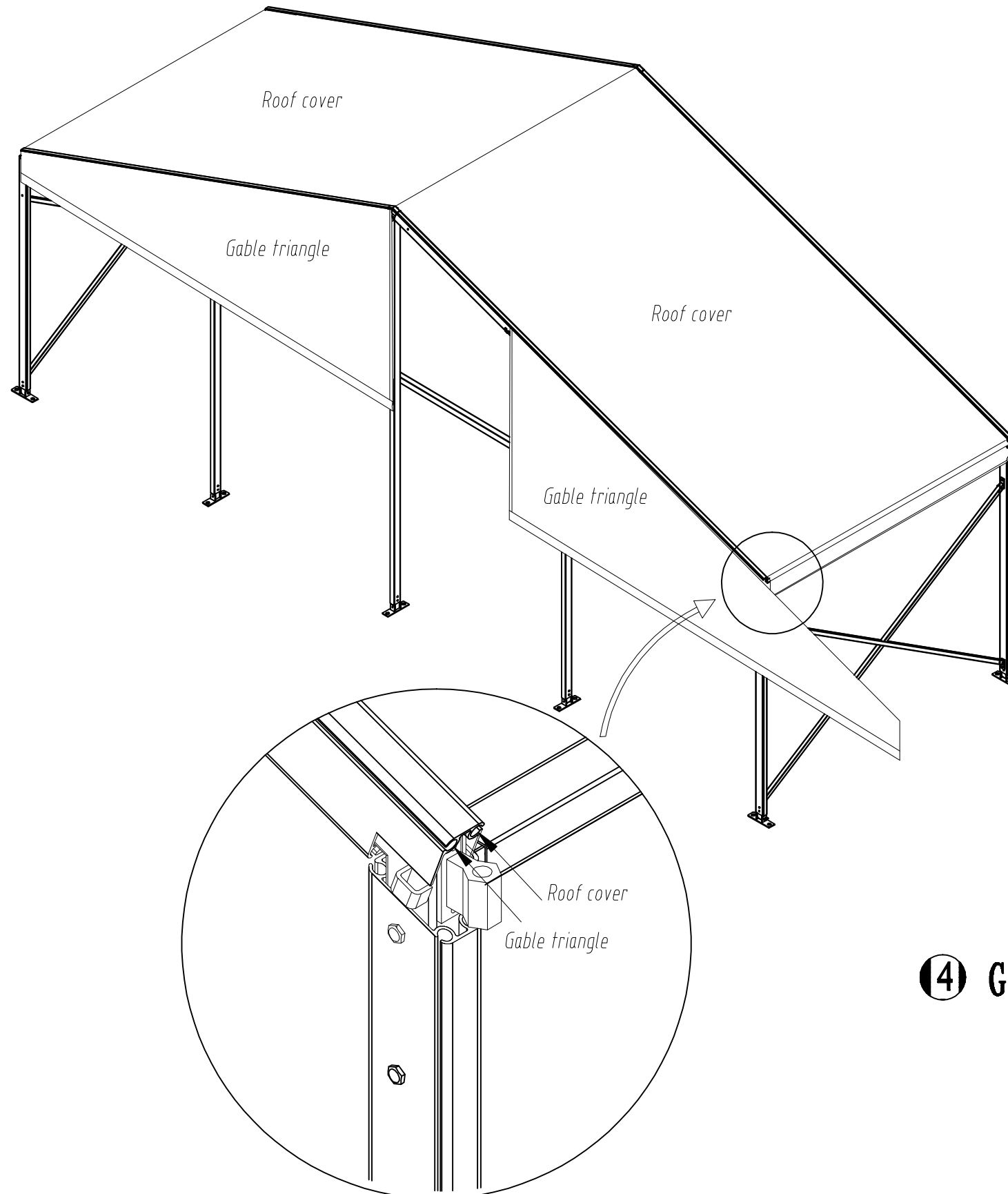
② Lift frames, add purlins, roof cables and X-cross bars of the first bay

New Party Tent 12m Assembling Guide



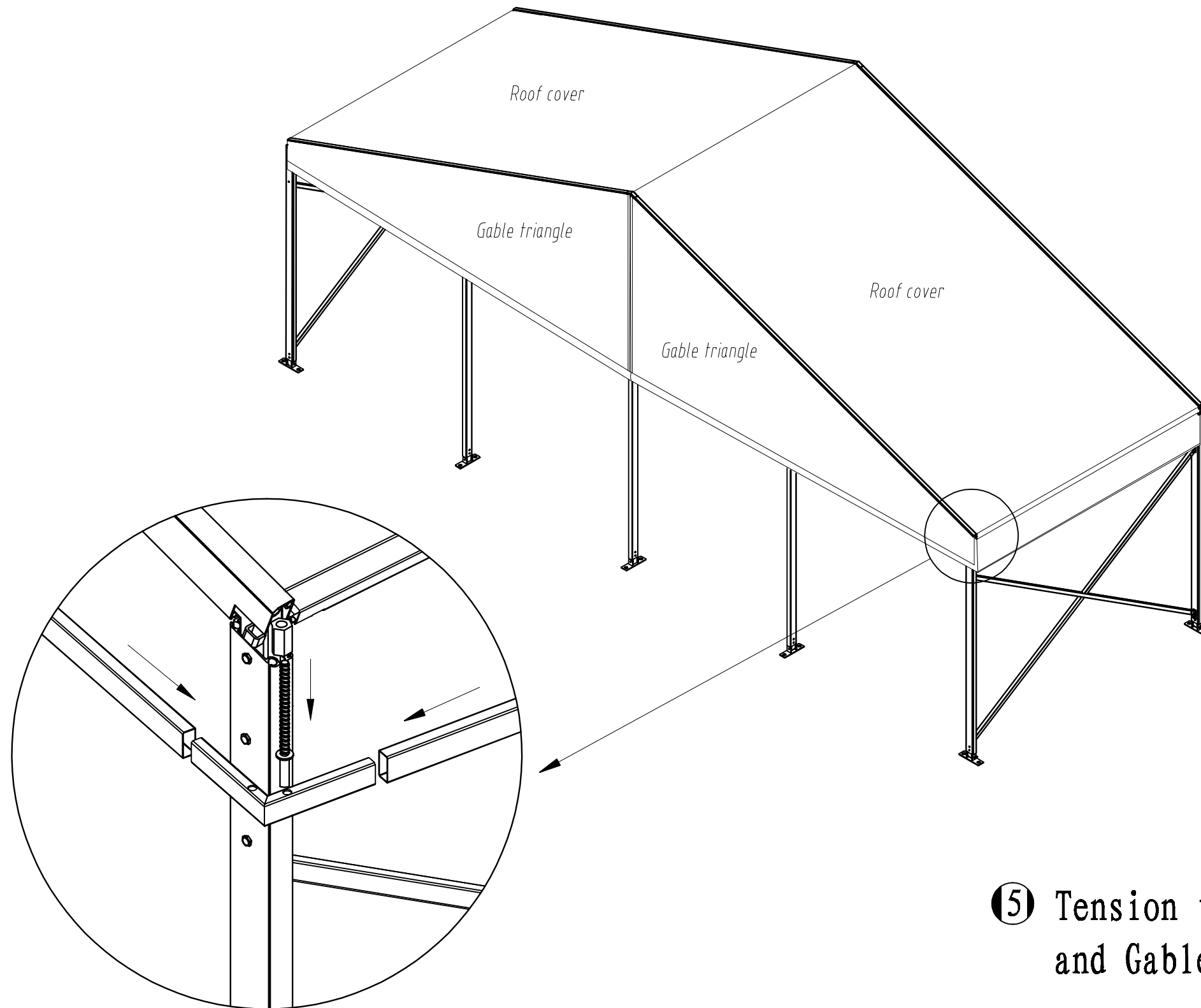
③ Roof Cover

New Party Tent 12m Assembling Guide



④ Gable Triangle Cover

New Party Tent 12m Assembling Guide



⑤ Tension the Roof Cover and Gable Triangle

⑥ Sidewalls

